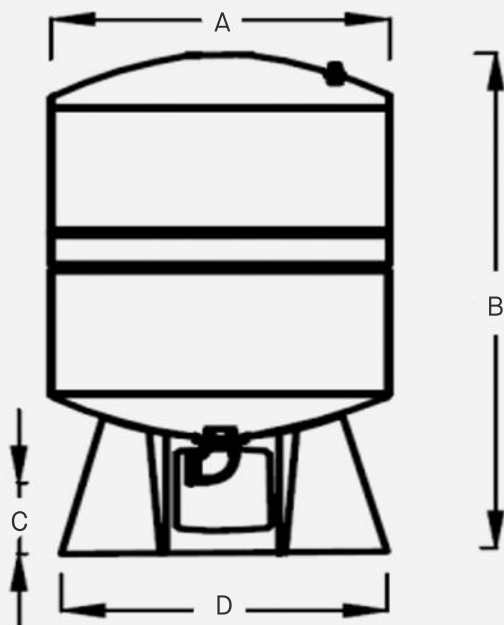


Well Expansion Tank - 20 Gallons

Model: EXW20V

APPLICATION

- **20 Gallon Capacity** – Controls pump cycling in residential, potable well water systems
- **Factory Pre-Charged** – Comes charged at 38 psi to control pressure build up and prevent backflow
- **Increased Longevity** - Extends the life of water systems by protecting pumps and pipes from bursting



Construction & Performance

Tank Volume	20 Gal / 76 Lit
Shell	High Strength Steel
Diaphragm	Heavy Duty Butyl
Liner	Antimicrobial Polypropylene
Finish	Blue
Maximum Operating Temperature	200 F (93 C)
Maximum Working Pressure	150 PSIG (10.3 bar)
Precharge Pressure	38 PSI
System Connection	1" FNPT
Connector Material	SS 304
Stand	ABS

Dimensions

A	17"
B	28"
C	1-3/16"
D	14"